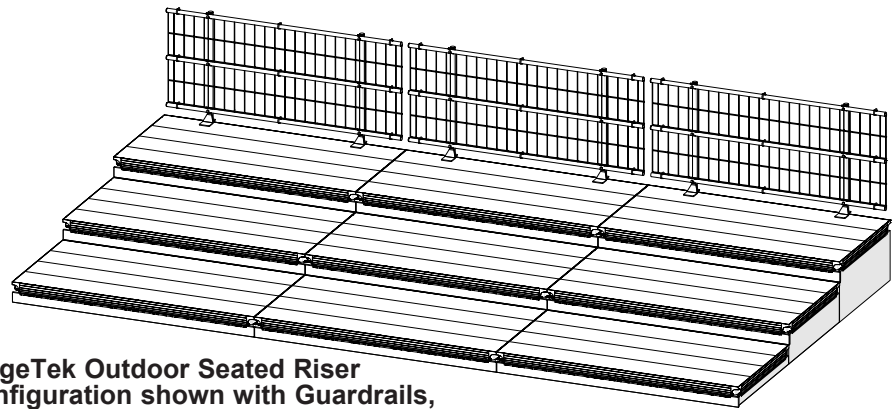


**StageTek Outdoor Flat Stage Configuration shown with Guardrails**



**StageTek Outdoor Seated Riser Configuration shown with Guardrails, Infill Panels and Closure Panels**

## Contents

Important User Information . . . . .	2	Maintenance . . . . .	20
General . . . . .	2	Decks . . . . .	20
Manufacturer . . . . .	2	Drapery . . . . .	20
Intended Use . . . . .	2	Preventative Maintenance . . . . .	20
Outdoor Use Considerations . . . . .	2	Replacement Parts List . . . . .	21
Warranty . . . . .	2	Rectangular Deck . . . . .	21
Safety Precautions . . . . .	3	Straps and Connectors . . . . .	22
Introduction . . . . .	3	Fixed Height Leg . . . . .	22
Sizes . . . . .	3	Adjustable Height Leg . . . . .	22
Accessories . . . . .	3	Telescopic Leg . . . . .	22
Unpacking - First Time Set Up . . . . .	4	Stabilizer Brace . . . . .	23
System Set Up . . . . .	4	Guardrail . . . . .	23
Decks . . . . .	4	Permanent Chair Stop . . . . .	24
Connecting Deck Assemblies . . . . .	6	Removable Chair Stop . . . . .	24
Stabilizer Brace Accessory . . . . .	11		
Guardrail Accessory . . . . .	13		
Chair Stop Accessories . . . . .	17		



Visit the StageTek Outdoor Staging System web page at [wengercorp.com](http://wengercorp.com) for more information.

**Note:** Please read and understand these instructions before assembling or setting up.  
**Note:** If you need additional information, contact Wenger Corporation using the information below.

# ***Important User Information***

---

## ***General***

Copyright © 2023 by Wenger Corporation

All rights reserved. No part of the contents of this manual may be reproduced, copied, or transmitted in any form or by any means including graphic, electronic, or mechanical methods or photocopying, recording, or information storage and retrieval systems without the written permission of the publisher, unless it is for the purchaser's personal use.

Printed and bound in the United States of America.

The information in this manual is subject to change without notice and does not represent a commitment on the part of Wenger Corporation. Wenger Corporation does not assume any responsibility for any errors that may appear in these instructions.

In no event will Wenger Corporation be liable for technical or editorial omissions made herein, nor for direct, indirect, special, incidental, or consequential damages resulting from the use or defect of these instructions. The manufacturer reserves the right to change this product at any time.

The information in this document is not intended to cover all possible conditions and situations that might occur. The end user must exercise caution and common sense when assembling or installing Wenger Corporation products. If any questions or problems arise, call the Wenger Corporation at (800) 4WENGER (493-6437) or +1-507-455-4100 worldwide.

## ***Manufacturer***

The StageTek® Outdoor Staging System is manufactured by:

Wenger Corporation  
555 Park Drive  
Owatonna, MN 55060  
(800) 4WENGER (493-6437) • +1 (507) 455-4100  
wengercorp.com

## ***Intended Use***

- This product is designed to be an elevation platform for performance groups.
- This product is intended for general outdoor use — it should not be exposed to prolonged extreme weather conditions.
- This product is intended to be assembled only as described in these instructions.

## ***Outdoor Use Considerations***

- This product is designed to be used outdoors but dry storage is recommended to help maintain original appearance and structural performance.
- Not recommended for use in snow or ice conditions.
- To prevent uplift in windy conditions, it is recommended that this product be anchored. Consult local building officials for recommendations.
- Consult local building officials for structural and grounding recommendations.
- Dry stage surfaces before use after a rainfall.
- Stage surface will absorb solar energy and heat up beyond ambient air temperature. Standard aluminum finish will be reflective until natural weathering occurs.
- While the stage decks are intended for outdoor use, accessories are not intended to be exposed to prolonged outside weather conditions.
- Connect decks together to prevent unintended separation.

## ***Warranty***

This product is guaranteed free of defects in materials and workmanship for five full years from date of shipment. A full warranty statement is available upon request.

# Safety Precautions

Throughout this document you may find cautions and warnings which are defined as follows:

- **WARNING:** Failure to follow the instruction could result in serious injury or damage to property.
- **CAUTION:** Failure to follow the instruction could result in minor injury or damage to property.

Read all of these safety instructions before using the equipment.

<b>⚠ CAUTION</b>	<b>⚠ CAUTION</b>	<b>⚠ CAUTION</b>
<i>Make sure anyone assembling or installing the StageTek Staging System has read and understands these instructions.</i>	<i>Failure to comply with Warnings and Cautions in this document can result in damage to property or serious injury.</i>	<i>Always observe and comply with the Warnings and Cautions posted on the system equipment.</i>

## Introduction

### Sizes

The StageTek Outdoor Staging System is available in the following rectangular deck sizes:

4' x 4' (1219 x 1219 mm), 4' x 6' (1219 x 1829 mm), 4' x 8' (1219 x 2438 mm).

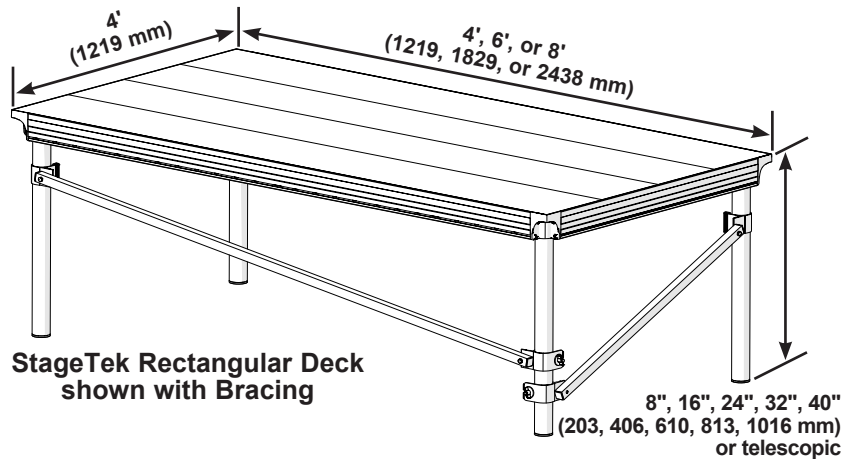
Fixed height legs and adjustable height legs are available in lengths that result in the following deck heights:

8" (203 mm), 16" (406 mm), 24" (610 mm), 32" (813 mm) and 40" (1019 mm).

Custom heights are available.

Adjustable telescopic legs are available in lengths that result in the following deck heights:

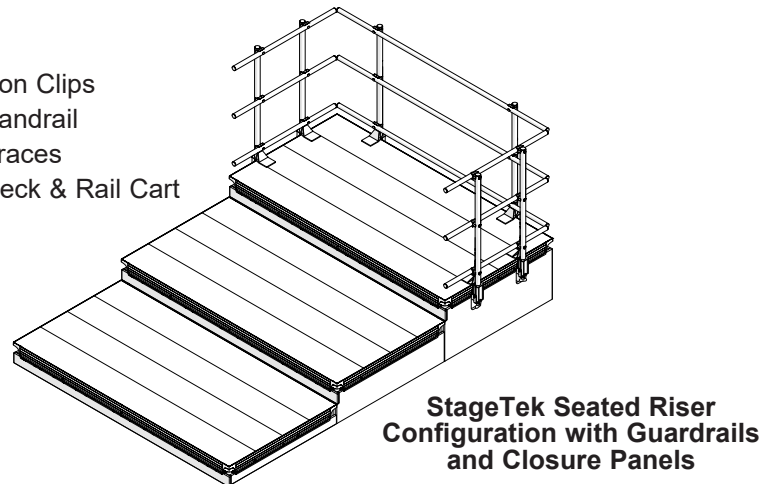
16"-28" (406-711 mm), 24"-40" (610-1016 mm) and 30"-54" (762-1372 mm).



### Accessories

Available accessories include:

- Backdrop
- Box Step
- Center Leg Kit
- Chair Clamp
- Chair Stop
- Closure Panels
- Connection Brackets
- Guardrails
- Leg Retention Clips
- Mid-Aisle Handrail
- Stabilizer Braces
- Universal Deck & Rail Cart
- Stairways
- Ramps



## Unpacking - First Time Set Up

1. Read and understand the complete assembly procedure before beginning set up.
2. Remove all parts from the shipping cartons (refer to the packing list for the shipment). Save the packaging materials until the platform system has been completely set up the first time.
3. Sort all accessories by size, length, etc.
4. Assemble all accessories that shipped disassembled using the supplied instructions.

## System Set Up

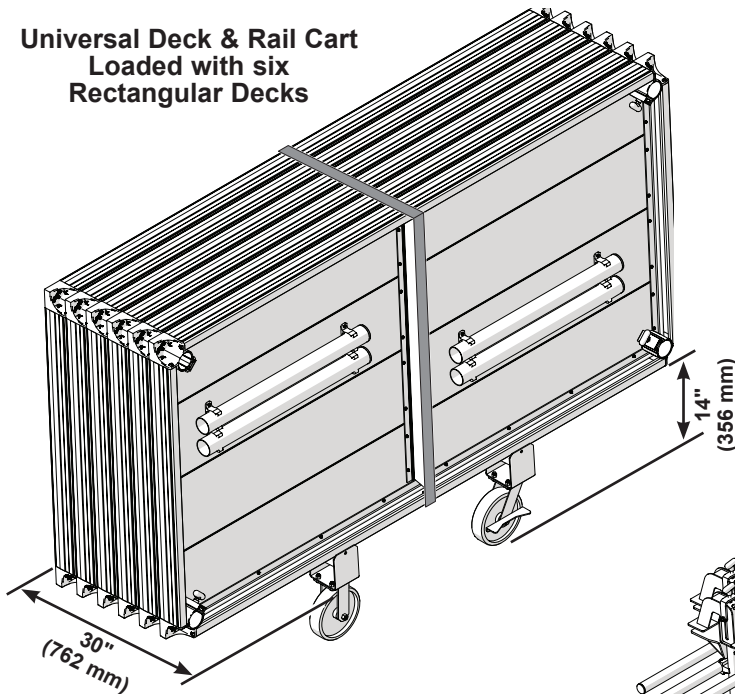
### Decks

1. Move the platform decks to the set up area.

The universal move & store cart is available to transport up to six StageTek rectangular decks (without accessories attached) or six StageTek guardrails. The carts make set up and tear down more efficient and help prevent handling damage.

The cart will fit through a standard 32" (813 mm) doorway.

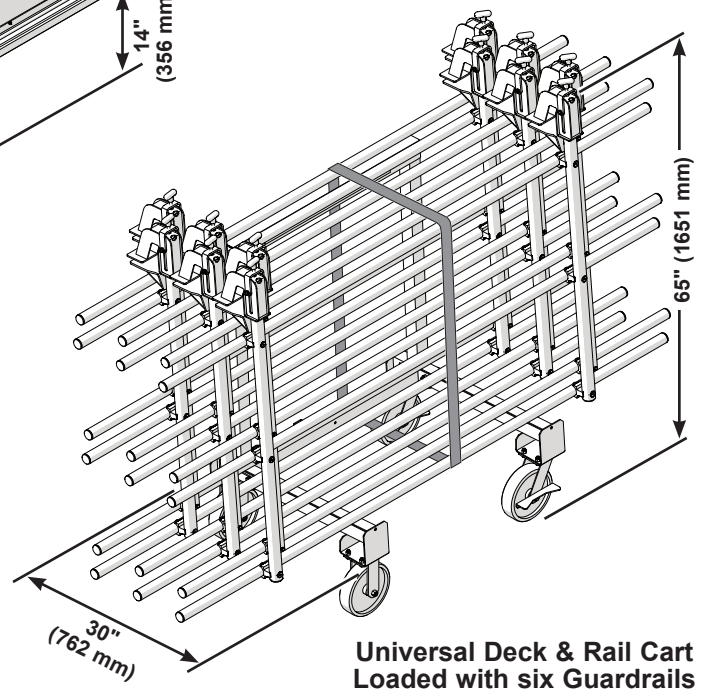
**Universal Deck & Rail Cart  
Loaded with six  
Rectangular Decks**



*The Universal Deck & Rail Cart is not recommended to be used on gravel, grass, or soft ground*

### **CAUTION**

*Platform decks can tip over if stored on their side without using a universal move & store cart.*



**Universal Deck & Rail Cart  
Loaded with six Guardrails**

## System Set Up (continued)

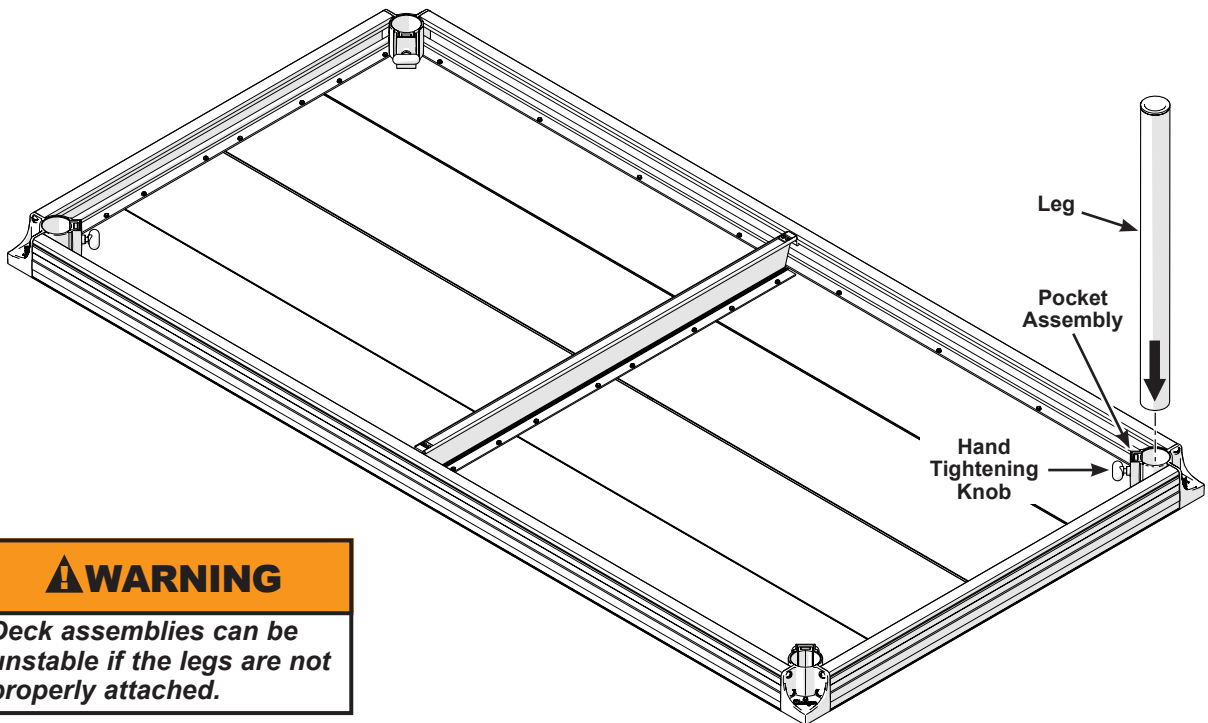
### Decks (continued)

- Using two people, lay the first platform deck upside down on a clean surface.

#### **CAUTION**

*Two people are recommended to lift the platform decks.*

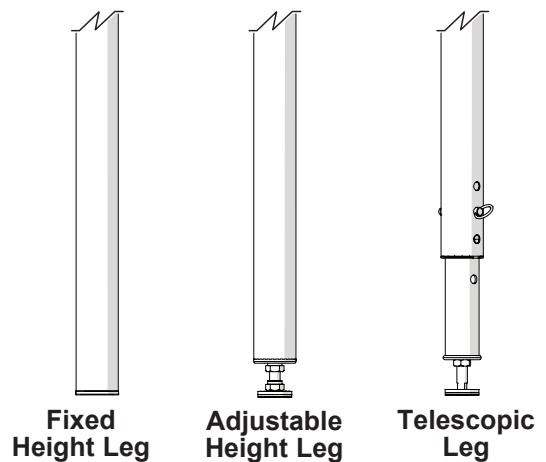
- Attach the legs.
  - Insert the legs all of the way into each of the pocket assemblies.
  - Secure each leg by hand tightening the knob on every pocket assembly.  
**No tools are required.**



#### **WARNING**

*Deck assemblies can be unstable if the legs are not properly attached.*

- If adjustable height legs or telescopic legs are used, adjust them to the required length.
- Turn the deck assembly right-side up and set up any remaining platform decks using the same procedure.



## System Set Up (continued)

---

### Connecting Deck Assemblies

#### NOTICE

*Before connecting deck assemblies together, verify that there is enough space to accommodate the entire stage system. Level each deck at the intended height before installing leg connectors. Deck elevations >60" (1524 mm) require using connectors at both the top and bottom of the legs. Every deck assembly must be connected to any adjoining deck assembly as indicated in the following sample layout drawings. Connectors and leg straps are shown in more detail on page 8.*

1. Position and connect the highest and larger deck row first, then work down and then outward to the lower elevations.  
**See the examples on the following pages.**
2. Depending on the configuration, a variety of cam locks, connectors and leg straps may be used to connect the deck assemblies together.  
**See the examples on the following pages.**



= Leg Strap (hook and loop attachment)



= Two Leg Rectangular Deck Connector



= Two Leg Pie Deck Connector



= Floor Leg Plate Connector  
*(used on deck heights below 10" (254 mm)  
when using adjustable height legs)*

#### **⚠ WARNING**

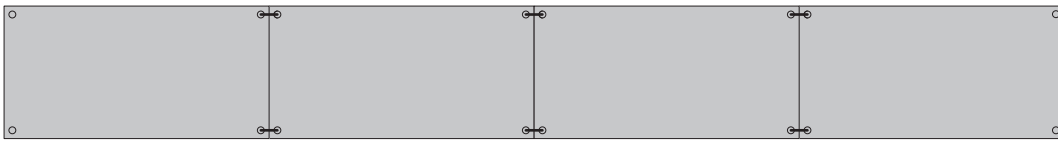
***The stage system is unstable unless all adjoining deck assemblies are connected.***

# System Set Up (continued)

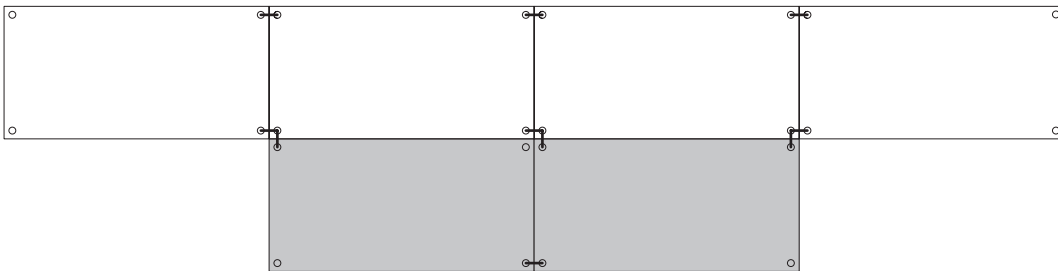
---

## Connecting Deck Assemblies (continued)

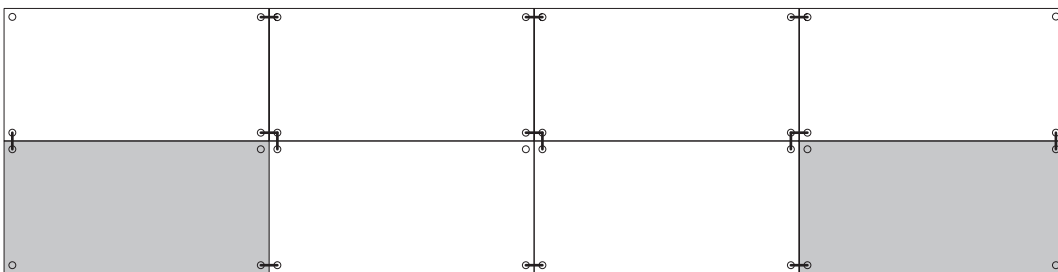
### Straight and L-Shaped Configurations



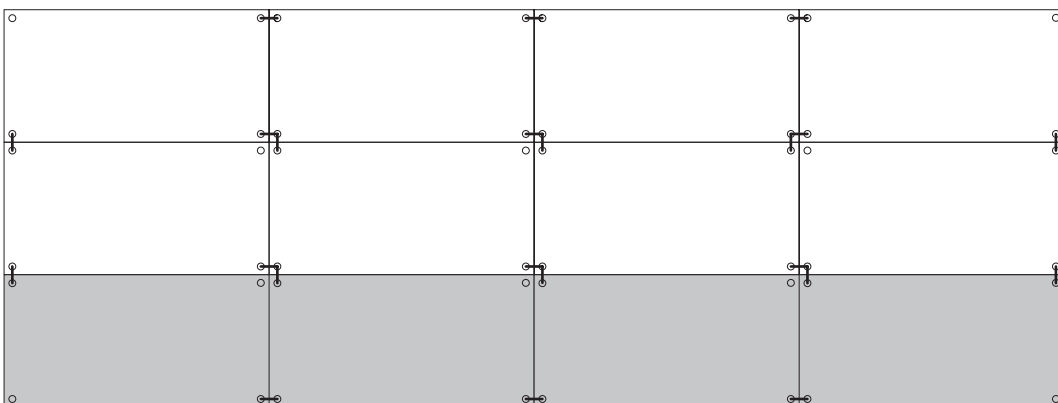
*Position and connect  
the highest and  
largest deck row first*



*Work down from the  
highest and largest  
deck rows*



*Work outward from the middle*



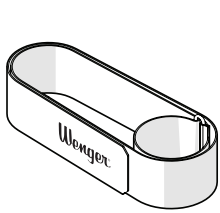
*Continue connecting the  
remaining deck assemblies*

# System Set Up (continued)

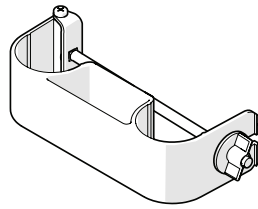
---

## Connecting Deck Assemblies (continued)

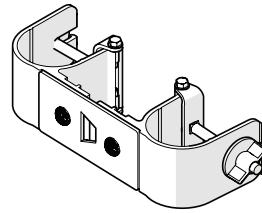
### Straps and Connectors



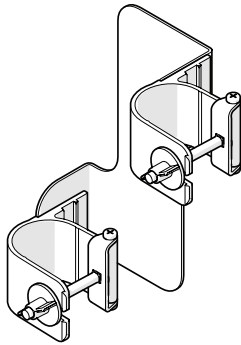
**Leg Strap  
(Hook and Loop)**



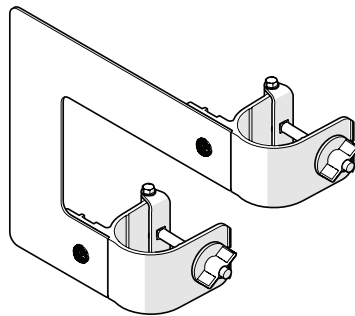
**Two Leg Rectangular  
Deck Connector**



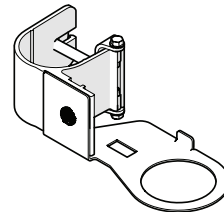
**Two Leg Pie  
Deck Connector**



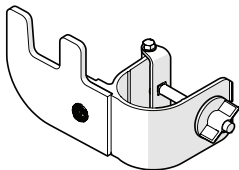
**6" Overlap Connector**



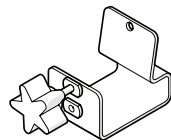
**12" Overlap Connector**



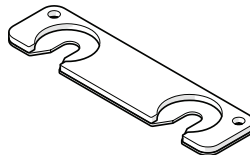
**Low Profile  
Connector**



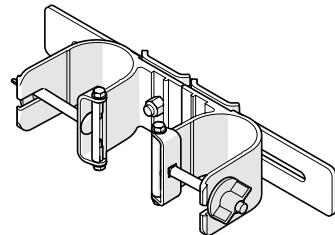
**Leg to Frame  
Connector**



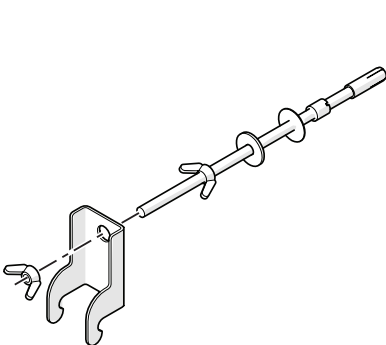
**Frame to Frame  
Connector**



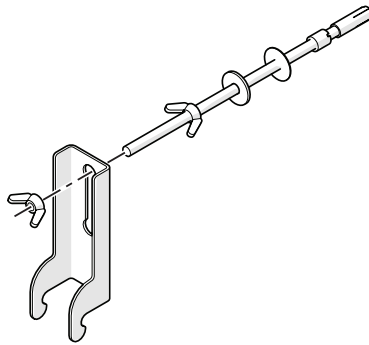
**Floor Leg Plate  
Connector**



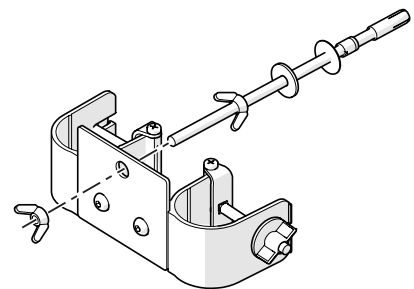
**Two Leg Adjustable  
Connector**



**Short Frame Deck Anchor**



**Long Frame Deck Anchor**



**Leg Deck Anchor**

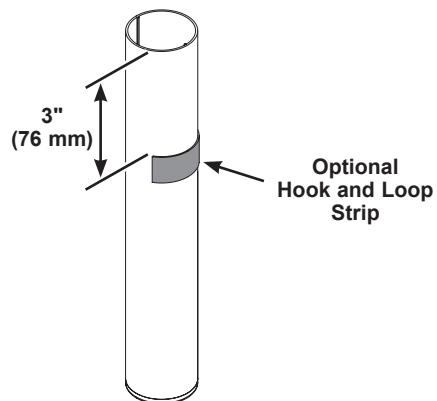


## System Set Up (continued)

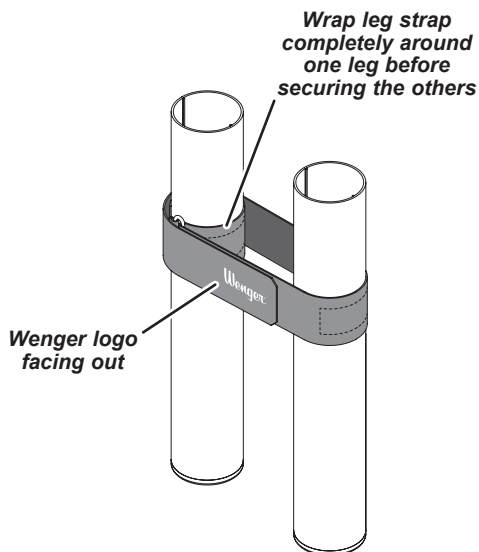
### Connecting Deck Assemblies (continued)

#### To Attach Leg Straps

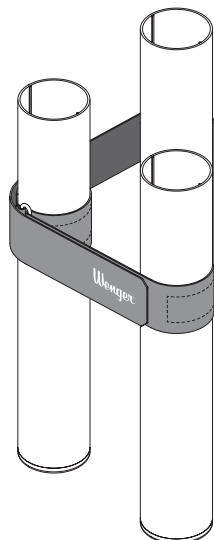
1. For best stability, position the leg straps as shown.
2. Optional self-adhering hook and loop strips can be applied to the leg surface to help minimize leg strap movement.  
Clean the leg surface with an alcohol wipe before applying.



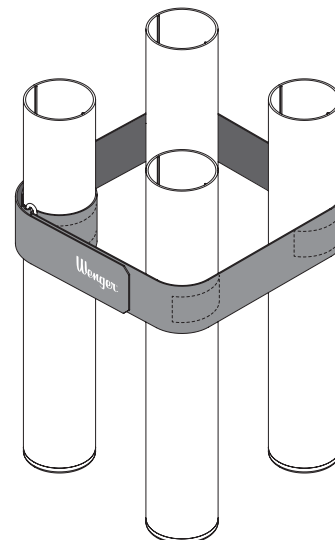
3. With the soft side against the leg surface, tightly wrap the leg strap completely around one leg first and then around one remaining leg of each adjacent deck assembly.
4. Secure the leg strap using the hook and loop surfaces. The Wenger logo should be on the outside.



**Leg Strap Securing Two Legs**



**Leg Strap Securing Three Legs**



**Leg Strap Securing Four Legs**

## System Set Up (continued)

### Connecting Deck Assemblies (continued)

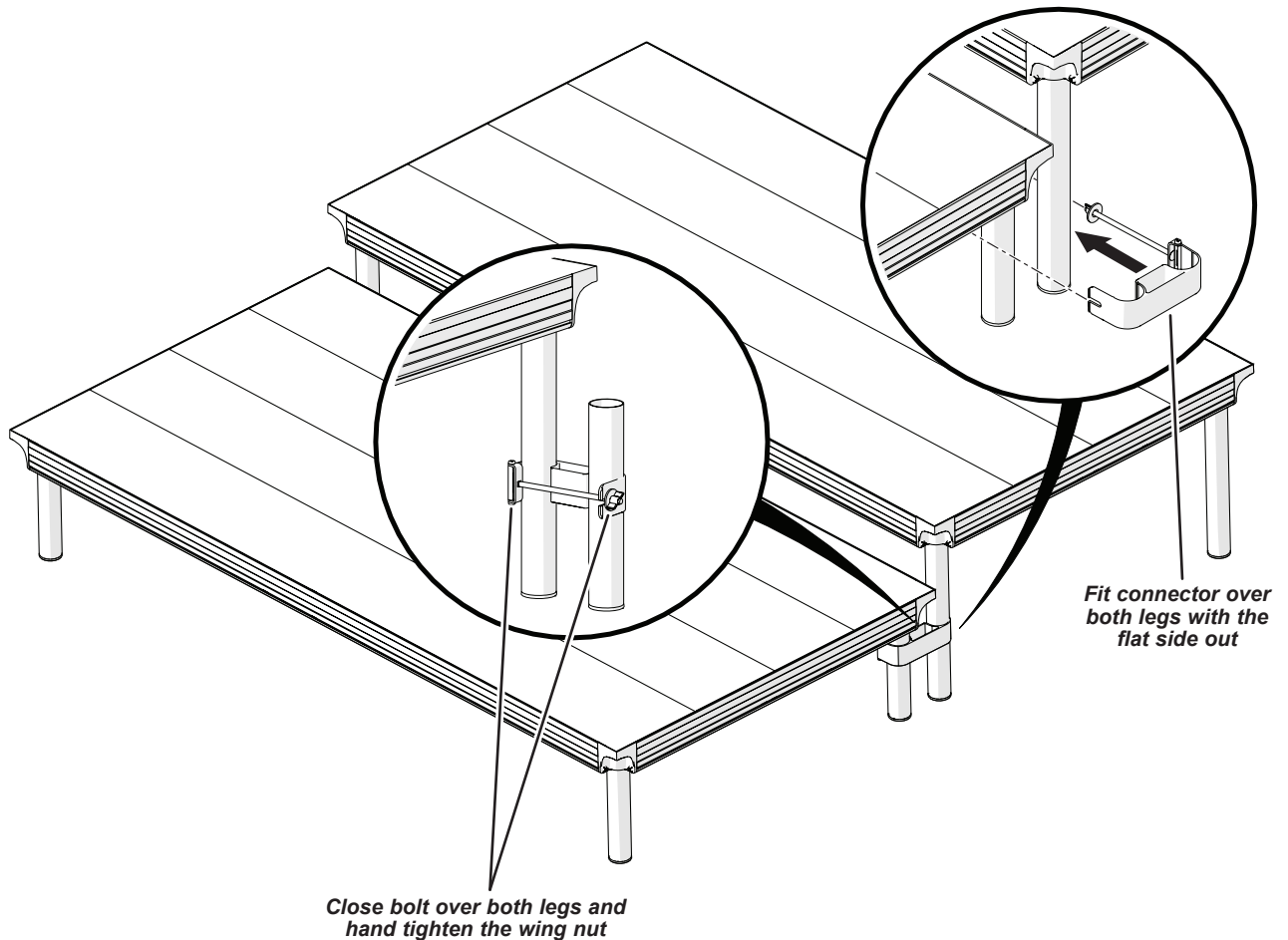
#### To Attach Connectors

1. For best stability, attach the connector as high up on the leg as possible.

### NOTICE

**Deck elevations >60" (1524 mm) require using connectors at both the top and bottom of the legs.**

2. With the flat side facing out, fit the connector over both legs.
3. Attach the connector to each leg by closing the bolt and securing with a wing nut.



## System Set Up (continued)

### Stabilizer Brace Accessory

#### **⚠ CAUTION**

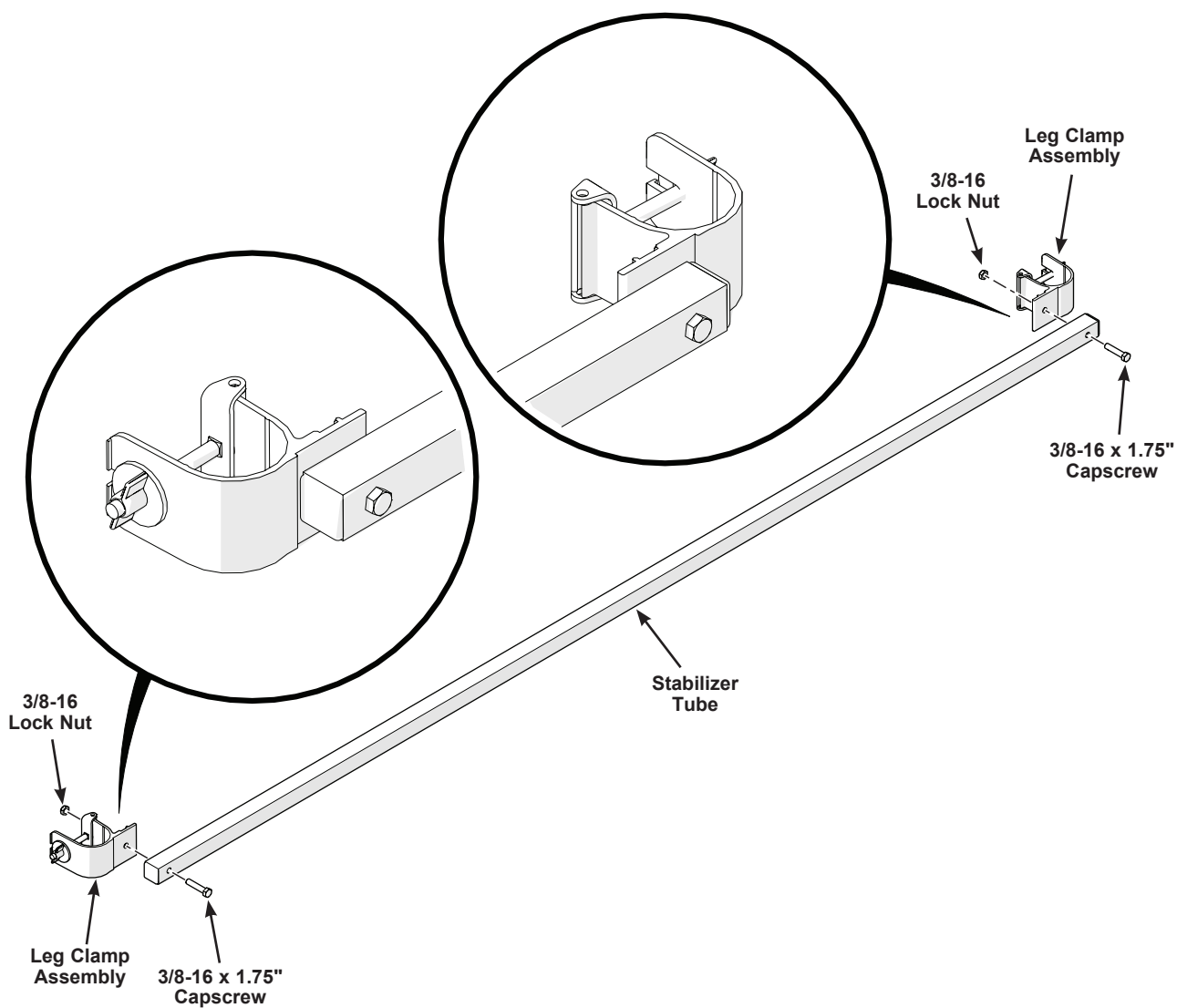
For instances where the deck height is 40" (1016 mm) or more, stabilizer braces must be used.

#### **⚠ CAUTION**

Stabilizer braces longer than 96" (2438 mm) must be used as an "X" brace.

### Assembly

1. Attach a leg clamp assembly to each end of the stabilizer tube using a 3/8-16 x 1.75" capscrew and 3/8-16 lock nut as shown.
2. Tighten the capscrew enough that the leg clamp assembly is secure, but may be rotated.



## **System Set Up (continued)**

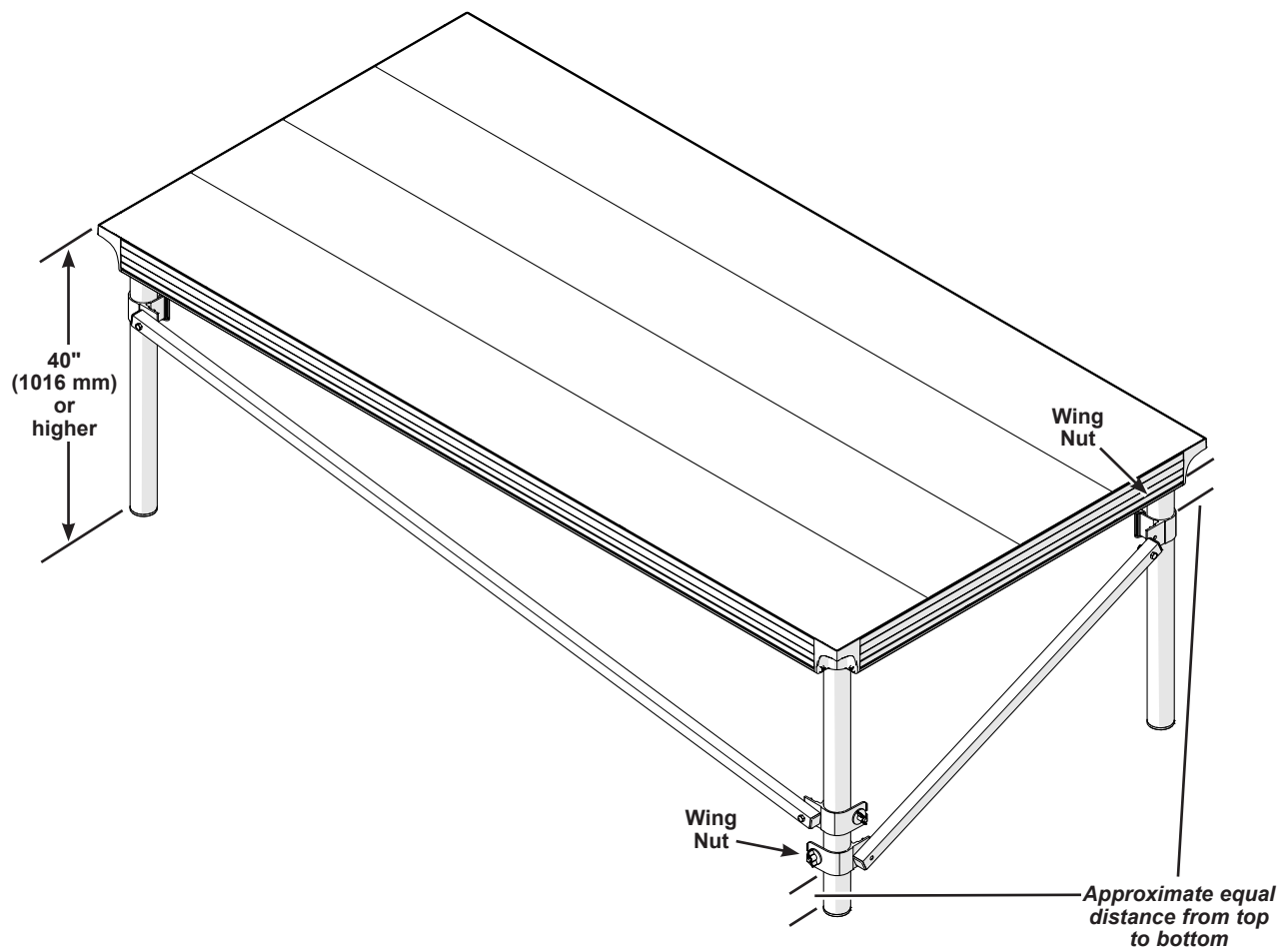
---

### **Stabilizer Brace Accessory (continued)**

#### **Operation**

To attach the stabilizer brace to the stage deck:

1. Loosen the wing nuts from both leg clamp assemblies and swing them open.
2. Place the leg clamp assemblies onto the legs at opposite ends of the stage deck.
  - a. One end should be down toward the ground and the other end should be up toward the stage deck. Place clamps as close to the top and the bottom of legs as possible for the highest rigidity.
  - b. The space between the leg clamp assembly and the ground should be approximately the same as the space between the leg clamp assembly and the bottom of the stage deck on the opposite side.
3. Swing both leg clamp assemblies closed and tighten the wing nuts.



**Refer to the StageTek Flat Staging System General Bracing Guidelines 280A093 for more details.**

## System Set Up (continued)

### Guardrail Accessory

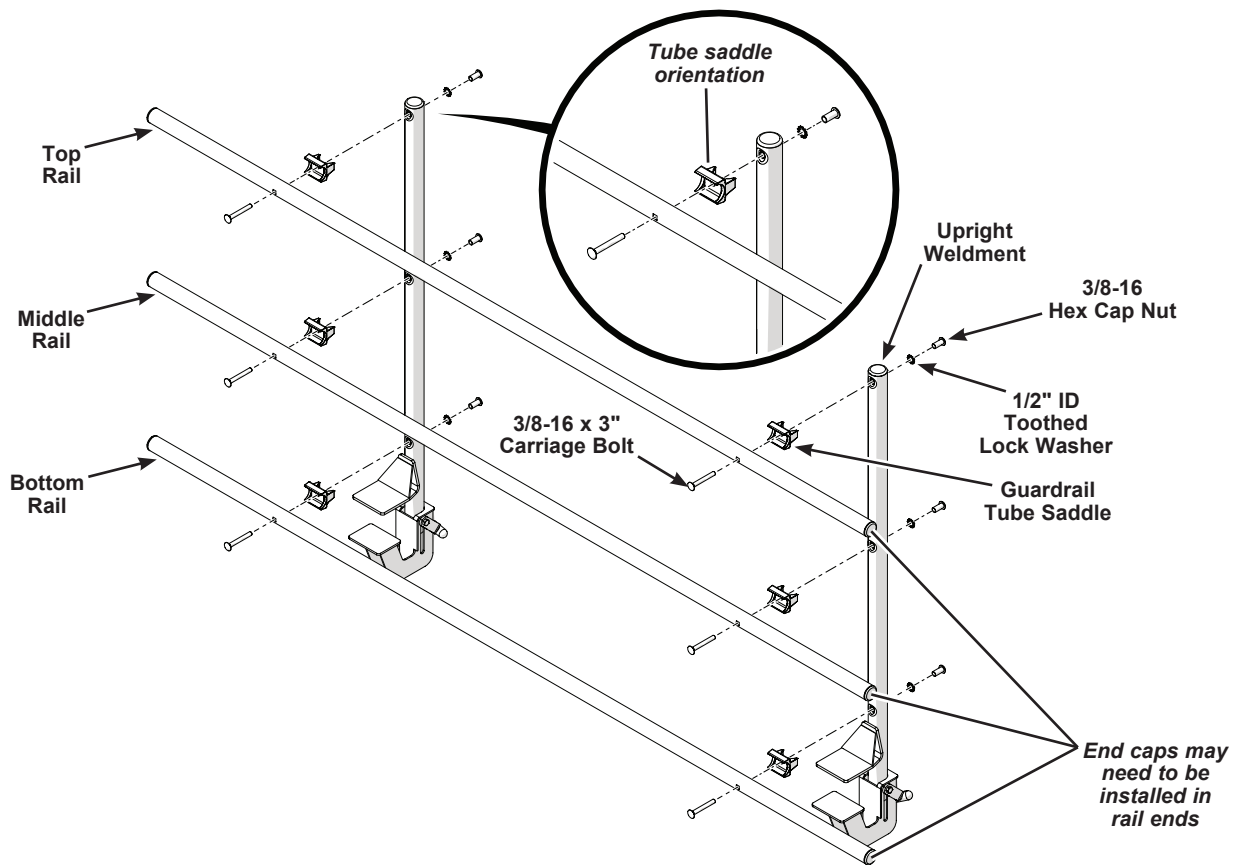
#### **CAUTION**

Guardrails are recommended for instances where the deck height is 12" (305 mm) or more.

### Assembly Without Optional Infill Panels

To assemble the guardrail without the optional infill panels:

Attach rails to the top, middle and bottom positions of both upright weldments using 3/8-16 x 3" carriage bolts, guardrail tube saddles, 1/2" ID toothed lock washers and 3/8-16 hex cap nuts as shown.



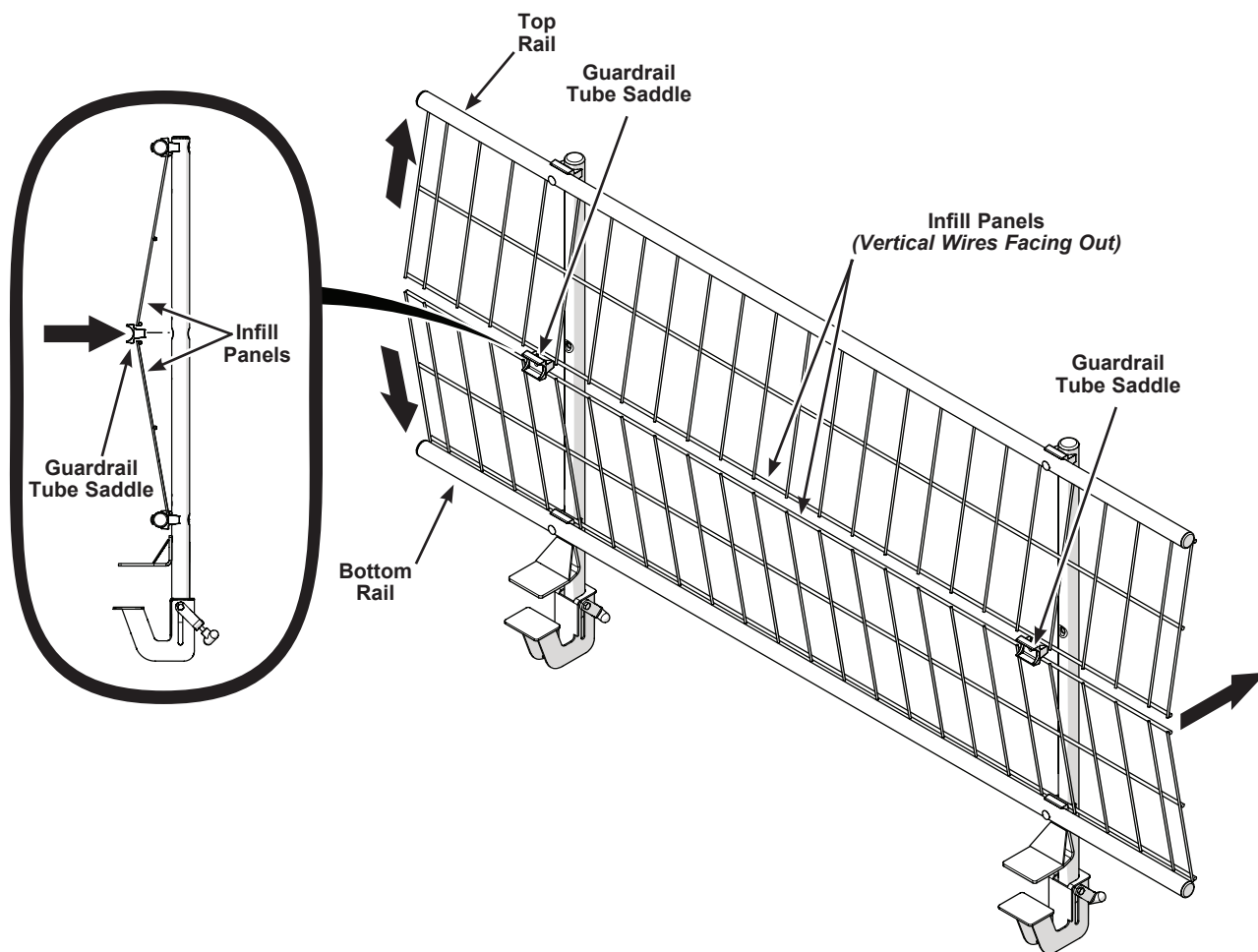
## System Set Up (continued)

### Guardrail Accessory (continued)

#### Assembly With Optional Infill Panels

To assemble the guardrail with the optional infill panels:

1. Attach a rail to both the top and bottom positions of both upright weldments using 3/8-16 x 3" carriage bolts, guardrail tube saddles, 1/2" ID toothed lock washers and 3/8-16 hex cap nuts as described on the previous page.  
**Do not attach the middle rail yet!**
2. With the vertical wires facing outward, center an infill panel to fit into the channel of both attached guardrail tube saddles behind both the top and bottom rails.
3. Place a guardrail tube saddle between the top and bottom infill panels at both ends to align with the middle pilot hole in the upright weldments.
4. Push the guardrail tube saddles and infill panels inward to be flush with the upright weldments.

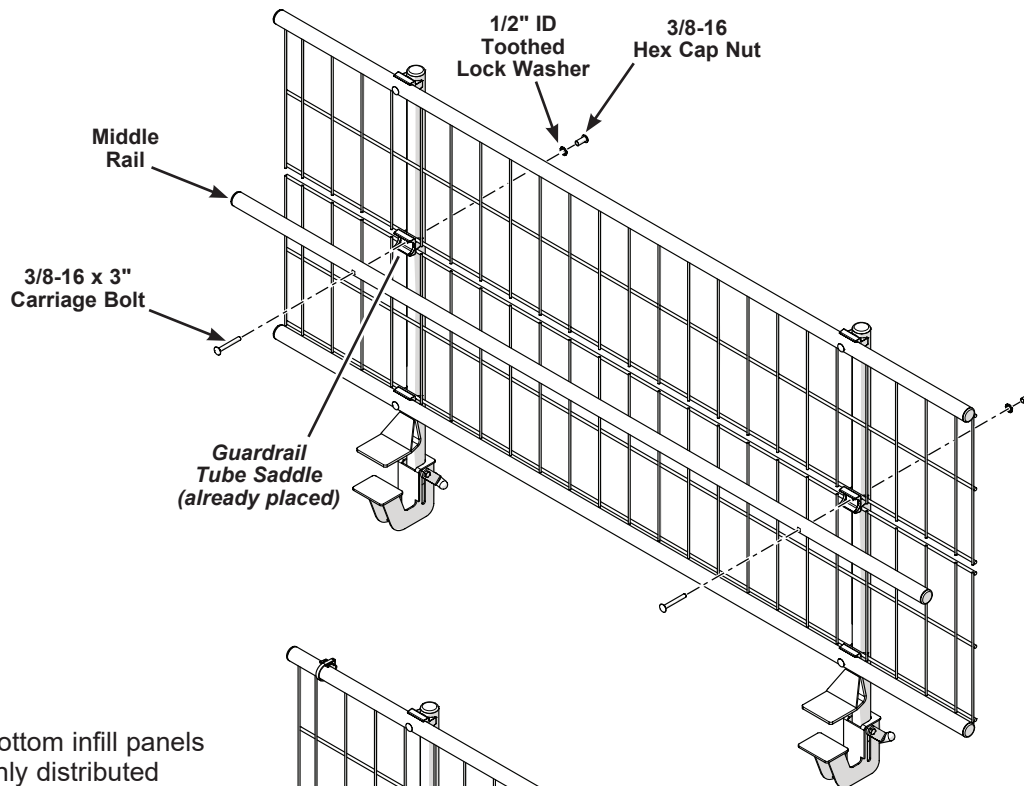


## System Set Up (continued)

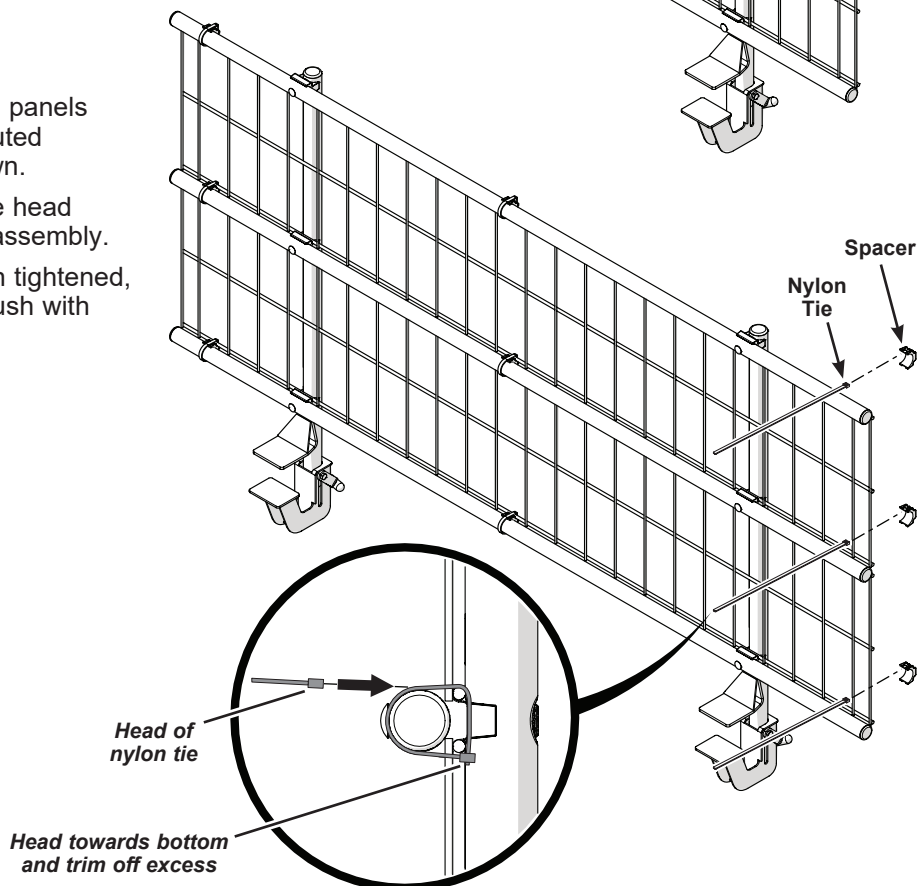
### Guardrail Accessory (continued)

#### Assembly With Optional Infill Panels (continued)

- Attach the middle rail to both upright weldments using a 3/8-16 x 3" carriage bolt through the guardrail tube saddle, 1/2" ID toothed lock washer and 3/8-16 hex cap nut on each end as previously described.



- Secure the top and bottom infill panels to the rails using evenly distributed spacers and nylon ties as shown.
  - Orient the nylon tie with the head towards the bottom of the assembly.
  - After the nylon tie has been tightened, trim off any excess to be flush with the head.



# System Set Up (continued)

## Guardrail Accessory (continued)

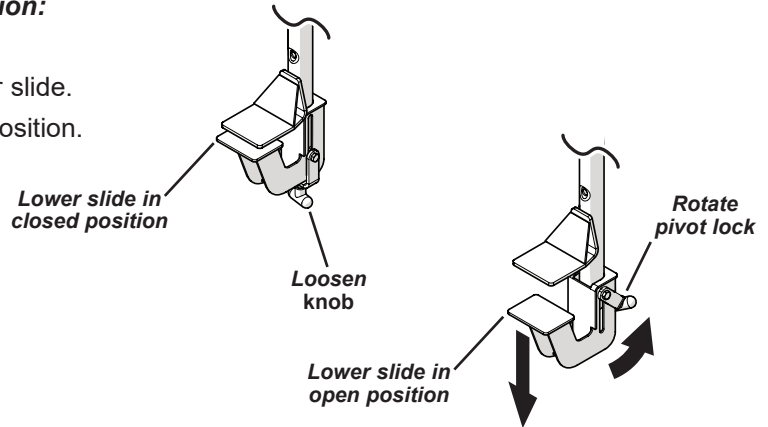
### Operation

To attach the guardrail to the stage deck:

1. Be sure that the lower slide at the base of both upright weldments are in the open position.

**To move the lower slide to the open position:**

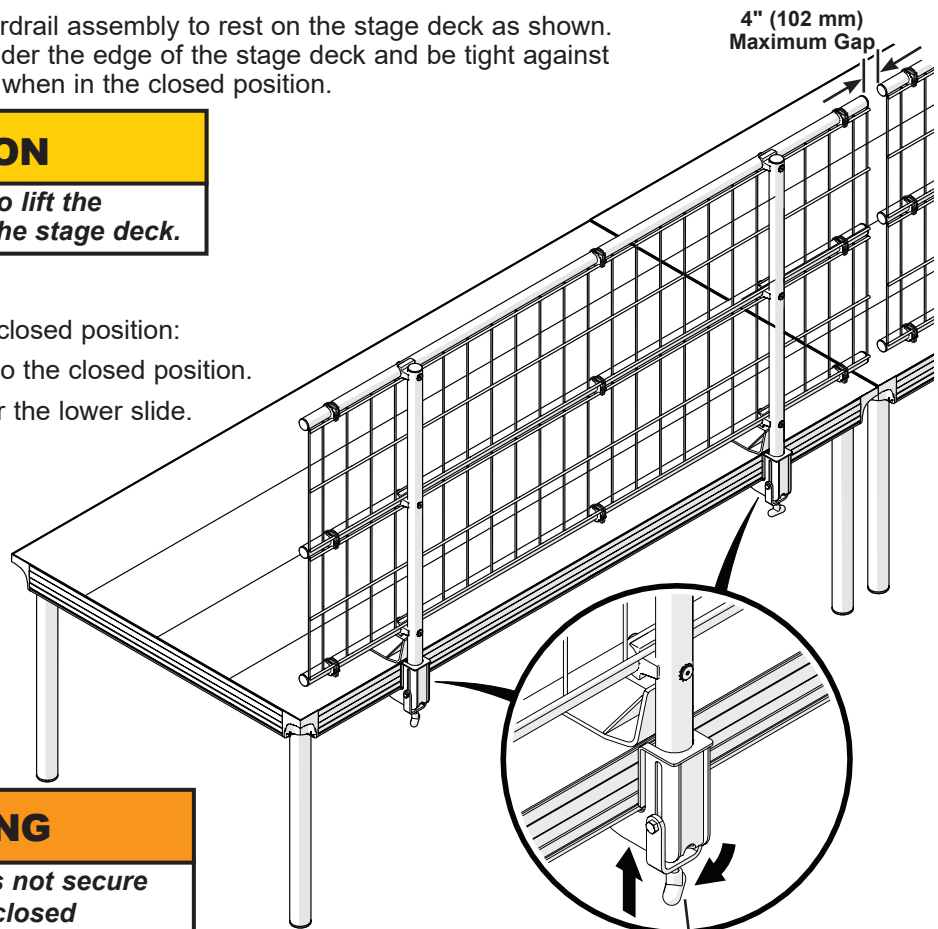
- a. Loosen the knob.
- b. Rotate the pivot lock back from the lower slide.
- c. Move the lower slide down to the open position.



2. Using two people, lift the guardrail assembly to rest on the stage deck as shown. The lower slides should fit under the edge of the stage deck and be tight against the bottom of the stage deck when in the closed position.

**CAUTION**  
Two people are required to lift the guardrail assembly onto the stage deck.

3. Move the lower slides to the closed position:
  - a. Move the lower slide up to the closed position.
  - b. Rotate the pivot lock over the lower slide.
  - c. Tighten the knob.



**WARNING**  
The guardrail assembly is not secure until it is locked into the closed position on the stage deck as specified.

If multiple guardrail assemblies with optional infill panels are being attached, the gap between them can be no more than 4" (102 mm) apart as shown.

Return to closed position



## System Set Up (continued)

### Chair Stop Accessories

#### Attaching a Permanent Chair Stop

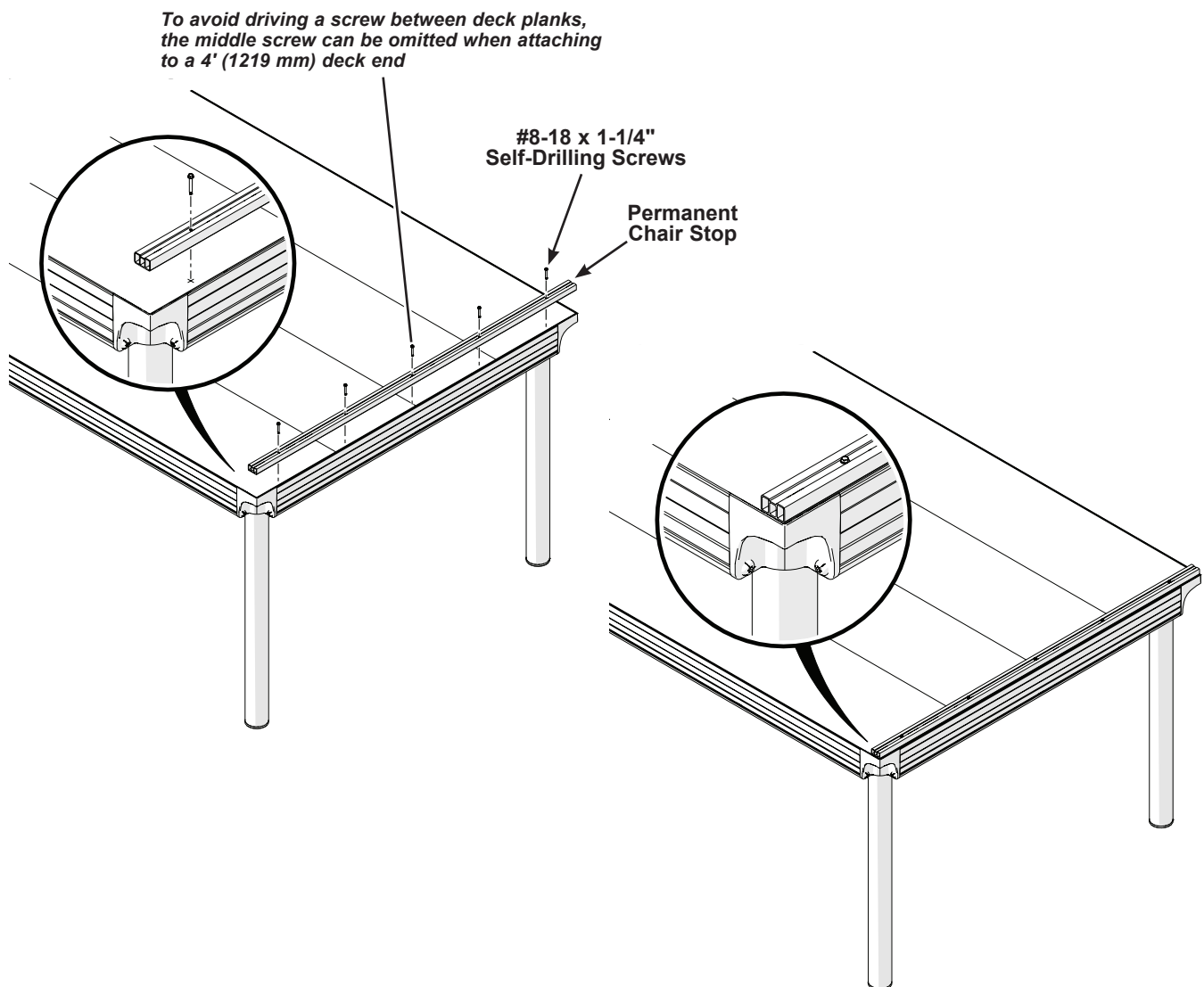
### NOTICE

**Permanent chair stops reduce the quantity of decks that will fit on the universal transport cart to five per cart.**

To attach a permanent chair stop to the stage deck:

1. Align the chair stop to fit against the edge of the stage deck.
2. Attach the chair stop to the stage deck using #8-18 x 1-1/4" self-drilling screws through each of the pilot holes in the chair stop and into the deck surface.

To avoid driving a screw between deck planks, the middle screw can be omitted when attaching to a 4' (1219 mm) deck end.



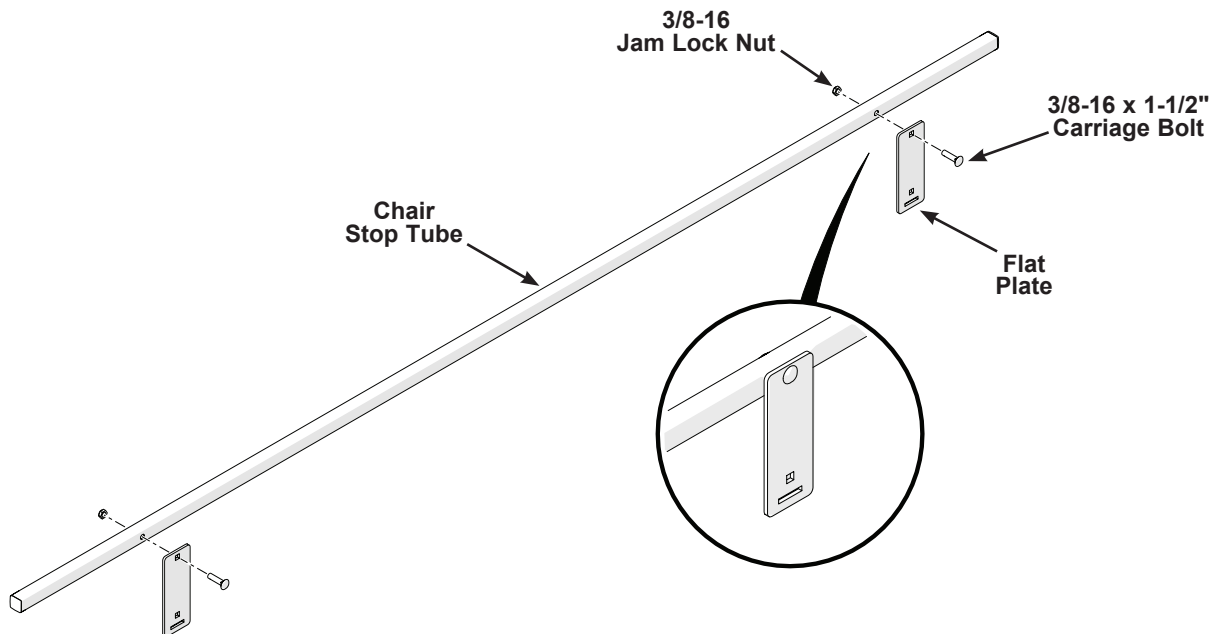
## System Set Up (continued)

### Chair Stop Accessories (continued)

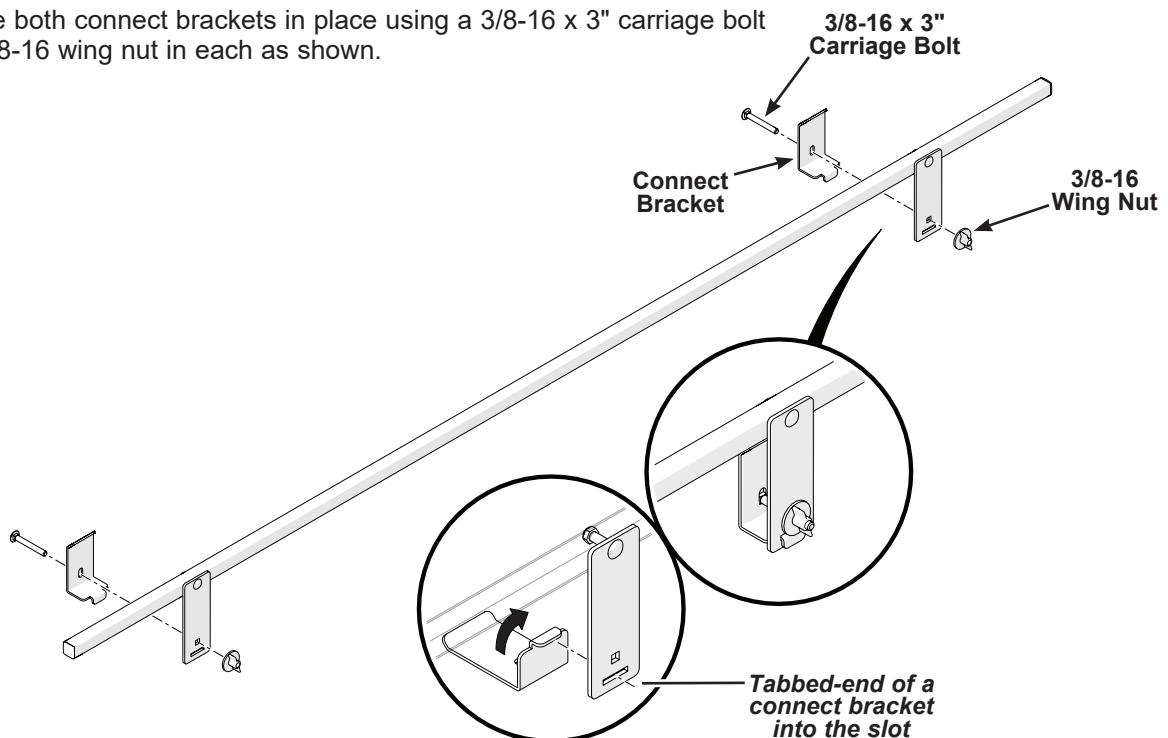
#### Assembling a Removable Chair Stop

To assemble the removable chair stop:

1. Attach a flat plate to both ends of the chair stop tube using a 3/8-16 x 1-1/2" carriage bolt and 3/8-16 jam lock nut in each as shown.



2. Hook the tabbed-end of a connect bracket into the slot in each of the flat plates as shown. Tip the bracket upward when fastening.
3. Secure both connect brackets in place using a 3/8-16 x 3" carriage bolt and 3/8-16 wing nut in each as shown.



## ***System Set Up (continued)***

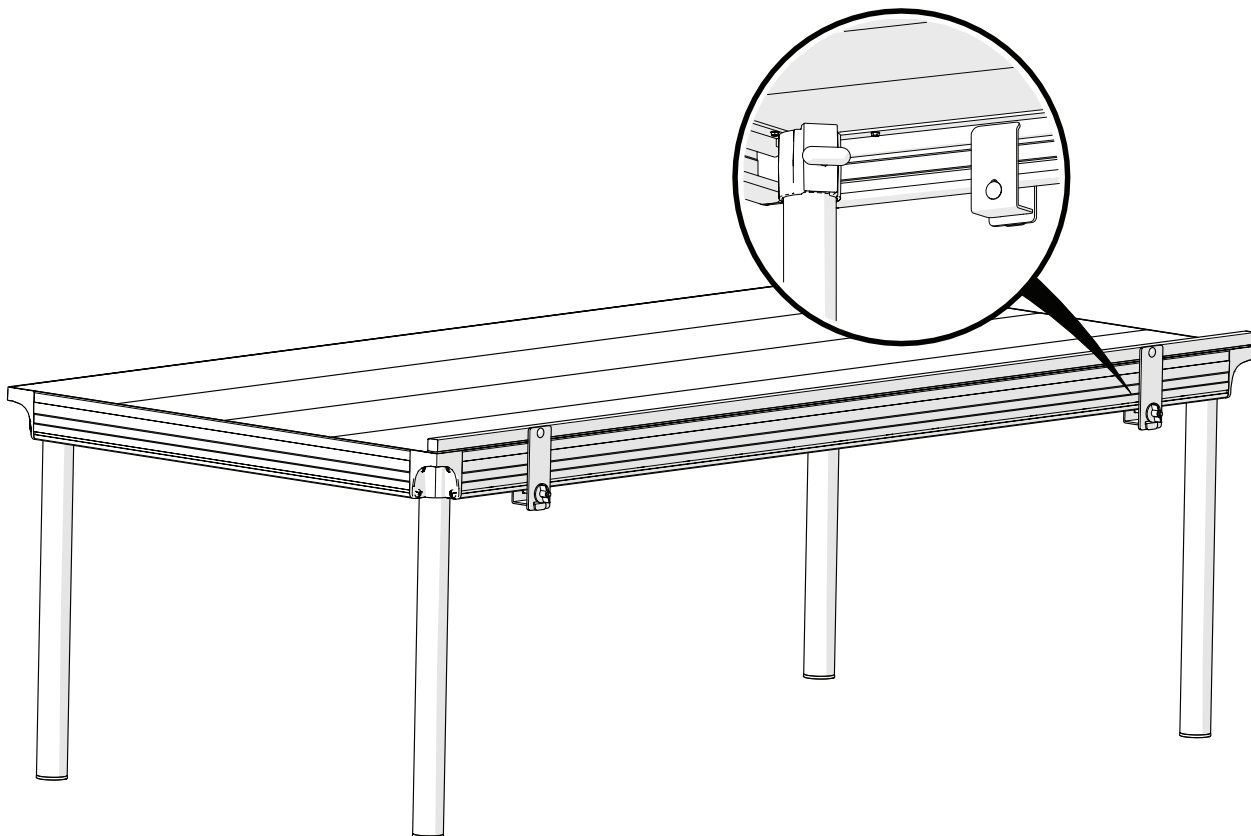
---

### ***Chair Stop Accessories (continued)***

#### **Attaching a Removable Chair Stop**

To attach a removable chair stop to the stage deck:

1. Fit the connect brackets under the lip of the stage deck.  
It may be necessary to loosen the wing nuts.
2. Position the chair stop tube to fit against the edge of the stage deck.
3. Tighten the wing nut to fit the connect brackets snug to the underside of the stage deck lip.



## ***Maintenance***

---

### ***Decks***

Keep the deck surfaces clean and dry. When necessary, clean with a broom, brush, leaf blower, etc. No other maintenance is required. Do not use oil-based cleaning products, and do not wax or polish the decks.

### ***Drapery***

Drapery sections may be washed or dry-cleaned. Remove all drapery clips prior to cleaning.

- Machine-wash at 120° F (49° C) or lower using mild detergent.  
Remove immediately after the wash cycle is completed.

Tumble-dry at "permanent-press" or lower temperature.

Remove and hang immediately to prevent wrinkling.

Excessive heat or drying time will detract from the permanent-press characteristics of the fabric and may cause permanent wrinkles.

Little or no ironing is required.

- When dry-cleaning, tumble-dry on the lowest heat cycle and remove immediately when dry.

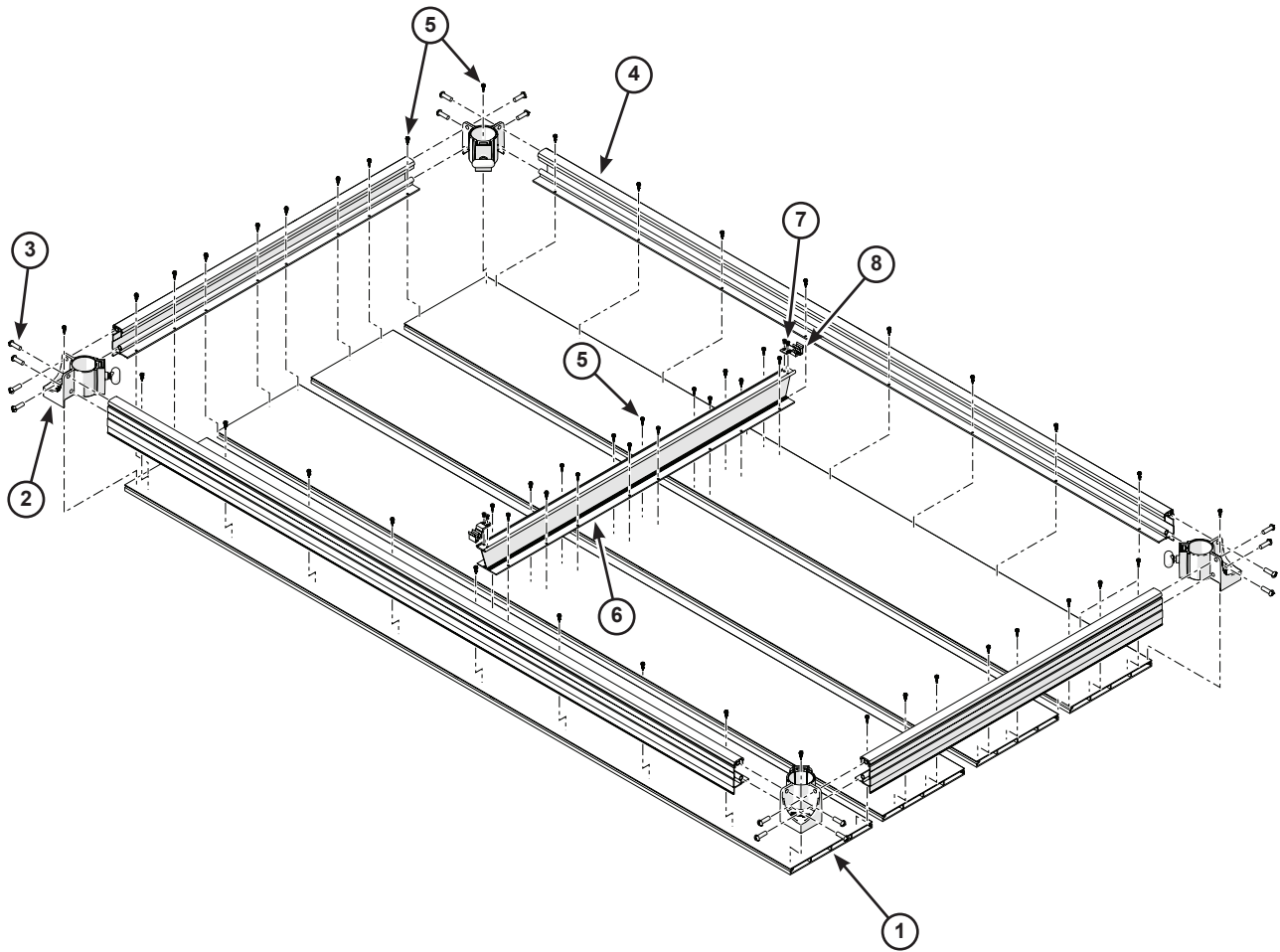
### ***Preventative Maintenance***

Inspect all hardware on the platform and accessories every six months, and tighten as necessary.

Replace any worn, bent, or broken parts promptly to prevent injury.

# Replacement Part List

## Rectangular Deck



Item	Description	Item	Description
1	Deck Plank Extrusion	5	Self-Drilling Screw, #10-16 x 3/4"
2	90° Corner Pocket Assembly	6	Mid Rail Brace
3	Torque Screw, 3/8-16 x 1-1/4"	7	Mid Rail Connect Extrusion
4	Deck Frame Extrusion	8	3/16" Blind Rivet

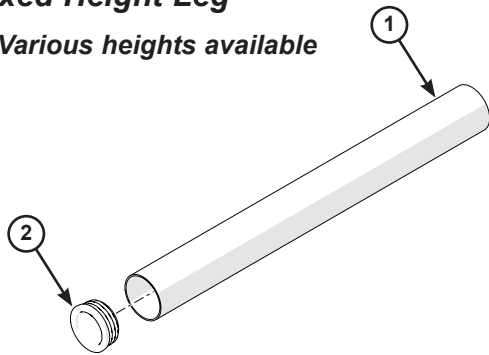
# Replacement Part List (continued)

## Straps and Connectors

Refer to Straps and Connectors on page 8.

### Fixed Height Leg

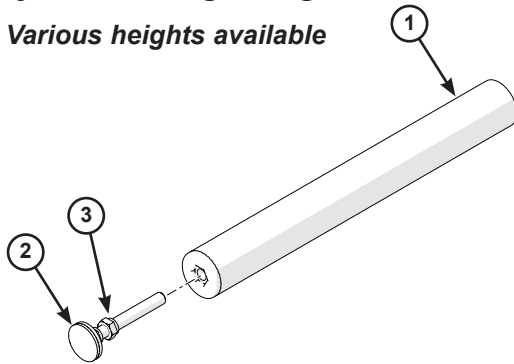
Various heights available



Item	Description
1	Aluminum Extrusion
2	Plug, 2-1/2" OD x 1/4-20 Gauge

### Adjustable Height Leg

Various heights available

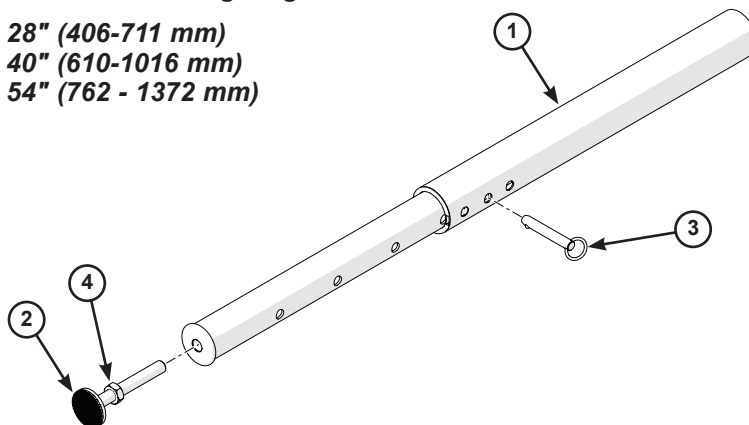


Item	Description
1	Leg Assembly
2	Adjustable Foot
3	Nut, Jam, Std Hex, ZP, 5/8-11

### Telescopic Leg

Available in the following heights:

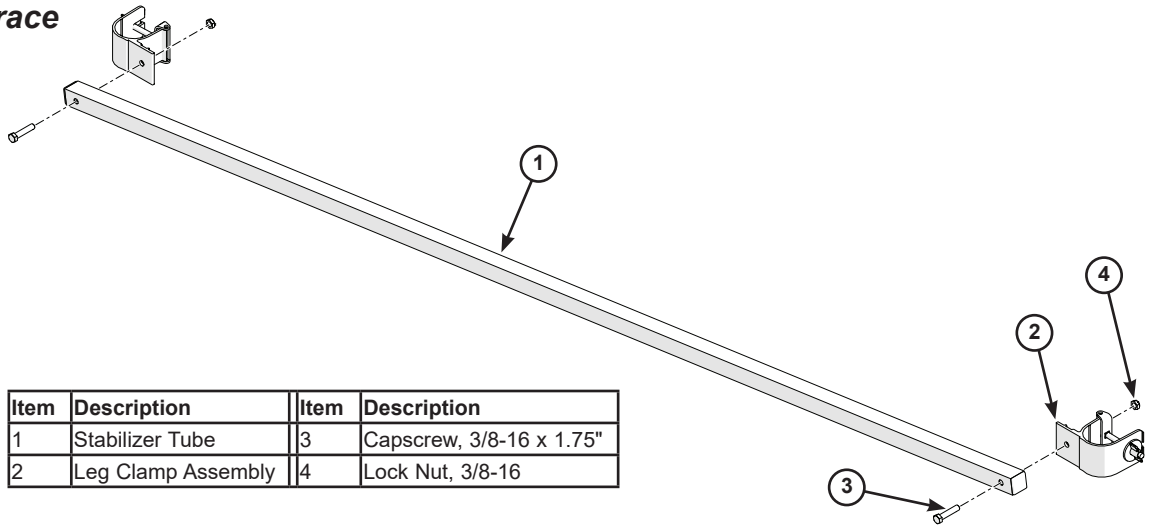
- 16" - 28" (406-711 mm)
- 24" - 40" (610-1016 mm)
- 30" - 54" (762 - 1372 mm)



Item	Description
1	Leg Assembly
2	Adjustable Foot
3	Clevis Pin, 1/2" x 2-1/2"
4	Nut, Jam, Std Hex, ZP, 5/8-11

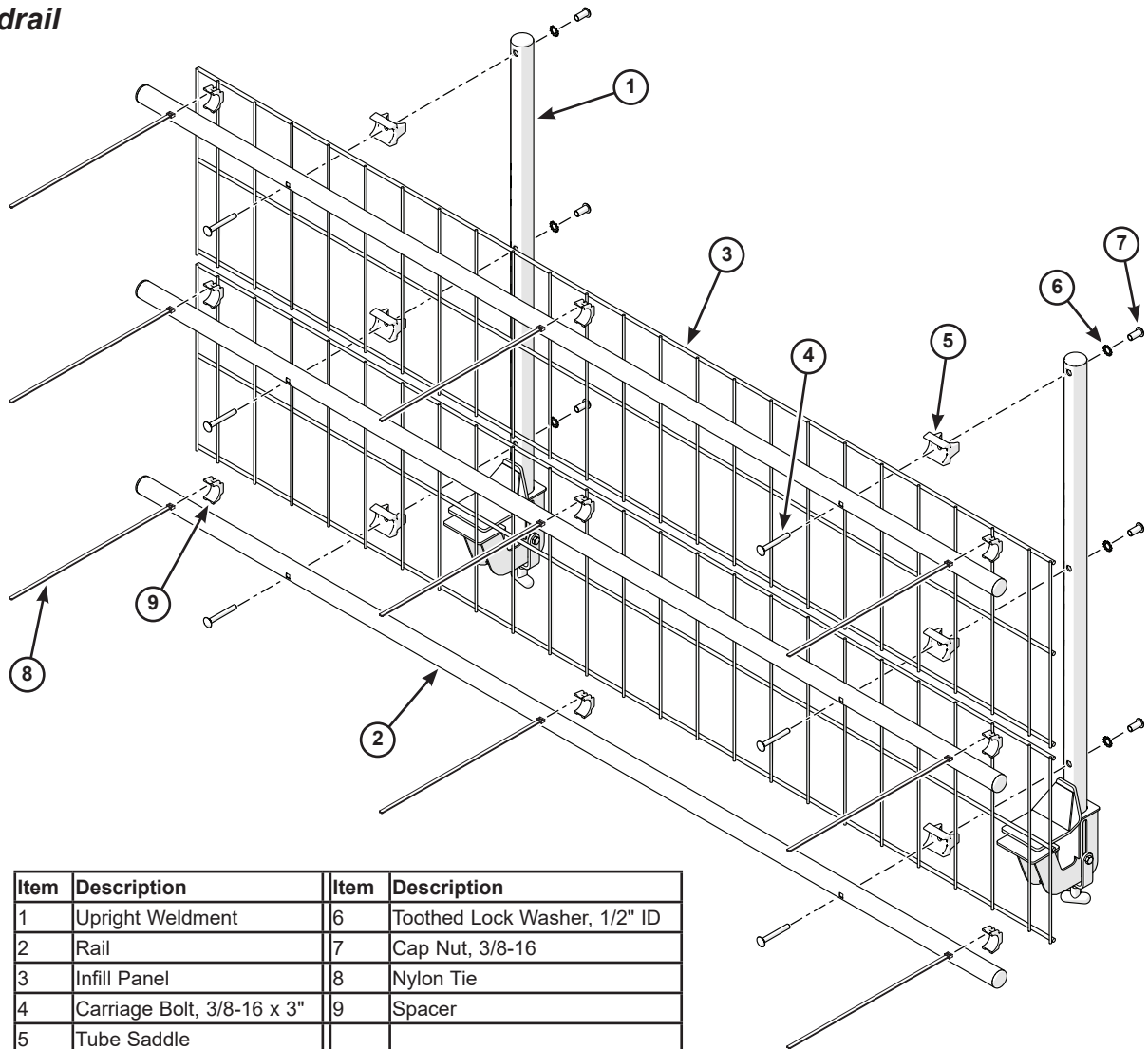
# Replacement Part List (continued)

## Stabilizer Brace



Item	Description	Item	Description
1	Stabilizer Tube	3	Cap screw, 3/8-16 x 1.75"
2	Leg Clamp Assembly	4	Lock Nut, 3/8-16

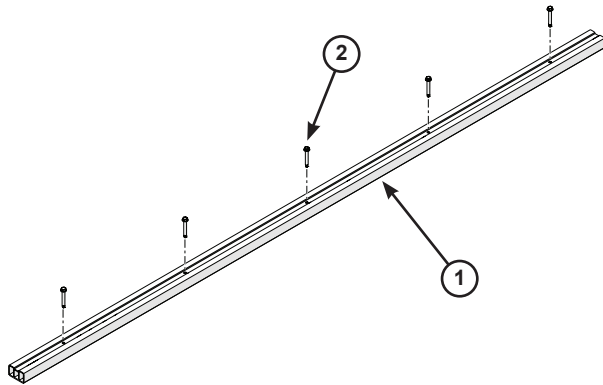
## Guardrail



Item	Description	Item	Description
1	Upright Weldment	6	Toothed Lock Washer, 1/2" ID
2	Rail	7	Cap Nut, 3/8-16
3	Infill Panel	8	Nylon Tie
4	Carriage Bolt, 3/8-16 x 3"	9	Spacer
5	Tube Saddle		

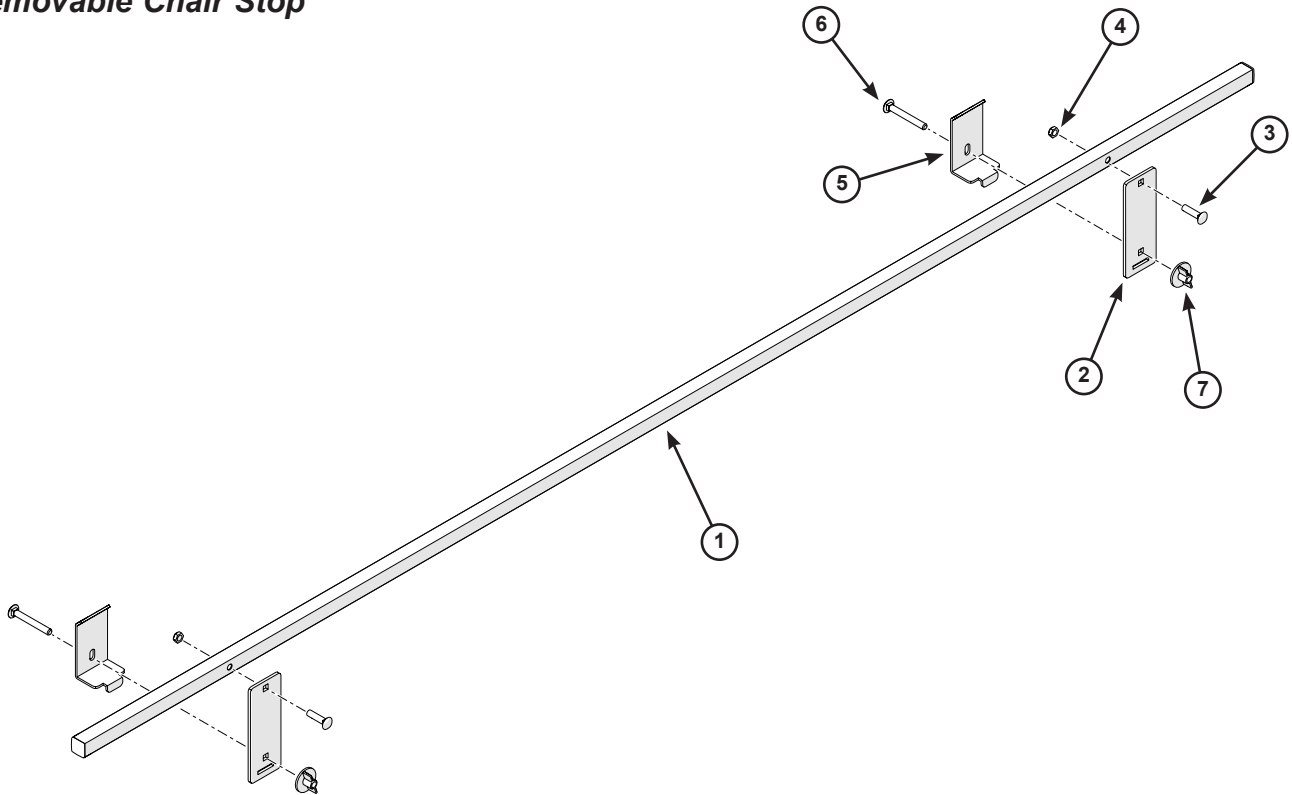
# Replacement Part List (continued)

## Permanent Chair Stop



Item	Description
1	Permanent Chair Stop
2	Self-Drilling Screw, #8-18 x 1-1/4"

## Removable Chair Stop



Item	Description	Item	Description
1	Chair Stop Tube	5	Connect Bracket
2	Flat Plate	6	Carriage Bolt, 3/8-16 x 3"
3	Carriage Bolt, 3/8-16 x 1-1/2"	7	Wing Nut, 3/8-16
4	Jam Lock Nut, 3/8-16		